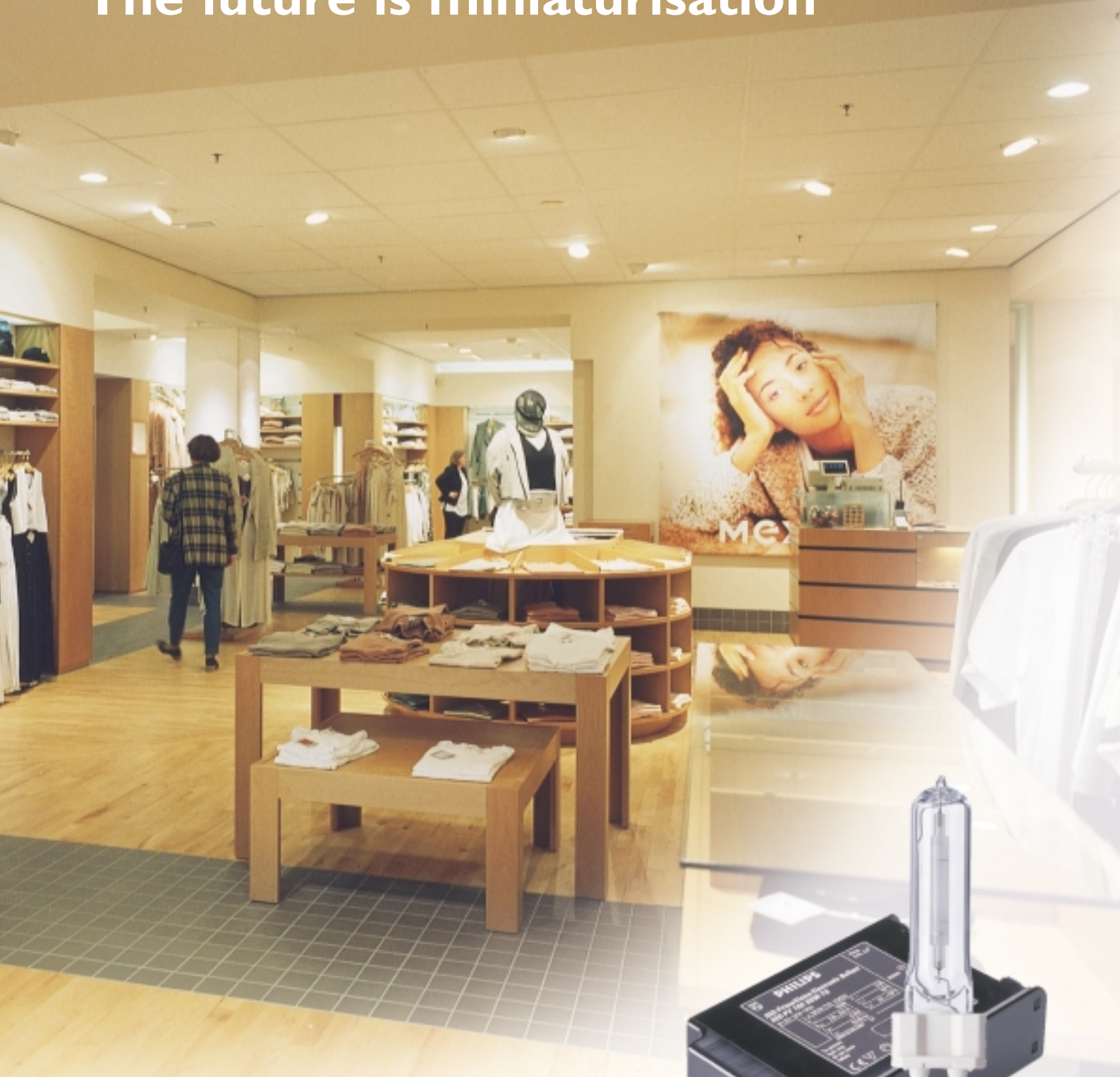


# MiniwhiteSON

## The future is miniaturisation



- “WhiteSON” unrivalled rendition of warm colours
- 50% system size reduction
- Fully electronic HID-PrimaVision gear

**PHILIPS**

# MiniwhiteSON

## The future is miniaturisation

Philips whiteSON lamps have been appreciated for many years due to their unrivalled rendition of colours such as red, yellow and orange and its homely warm colour impression. It is widely used for illuminating fresh food corners in supermarkets, furniture showrooms and fashion stores.

Philips has worked on a further miniaturisation of the current whiteSON and is pleased to introduce a MiniwhiteSON system consisting of a lamp in the same shape as single ended MASTERcolour lamps (CDM-T) running on a single piece electronic ballast in the same small size as the HID-PrimaVision CDM ballasts.

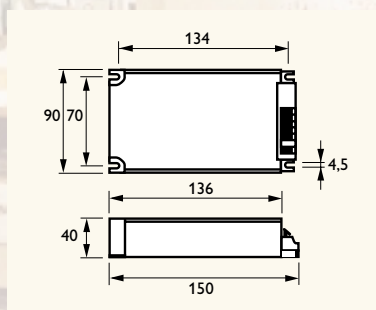
The advantage to luminaire manufacturers is that one basic luminaire design can be used for MiniwhiteSON and MASTERcolour.

This means that with one luminaire concept three ambiances can be created: warm white 2550 K, white 3000 K and cool white 4200 K.

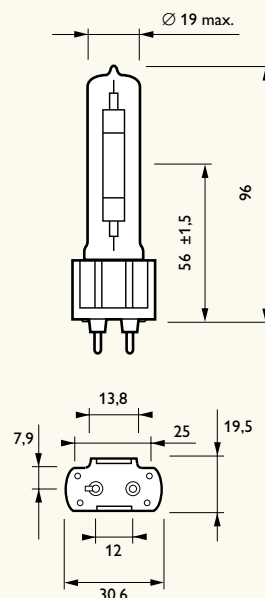
The new MiniwhiteSON is especially designed for use with the electronic HID-PrimaVision SDW ballast. This ballast has the same shape as CDM HID-PrimaVision ballasts but also has the colour point stabilisation to ensure the colour performance is maintained.

The advantages of the new system are

- Light, single piece electronic ballast having covered terminals and cable restraints for easy independent (on the ceiling) or incorporated use (in the luminaire)
- 6% improvement in system efficacy
- Reduced UV output
- Suitable for a wide range of voltages (220-240 V)
- Increased distance between lamp and gear from 0.5 m now up to 2 m
- Design & installation freedom for luminaire manufacturers, installers and users



HID-PV 100 SDW-TG



SDW-TG 100 W

| Type        | Cap/ base | Lamp wattage | Lamp voltage | Correlated colour temp. | Lumen output | Colour rendering index | Lamp current | Maximum permissible base/pinch temp. degr.C | Maximum permissible bulb temp. degr.C | Chrom. coord. x | Chrom. coord. y | Nett weight g | Ordering number | EOC       |
|-------------|-----------|--------------|--------------|-------------------------|--------------|------------------------|--------------|---|---------------------------------------|-----------------|-----------------|---------------|-----------------|-----------|
|             |           | W            | V            | K                       | lm           |                        | A            |   |                                       |                 |                 |               |                 |           |
| SDW-TG 100W | GX12-1    | 100          | 93           | 2550                    | 4800         | 83                     | 1            | 300   | 550                                   | 470             | 406             | 35            | 9281 589 05103  | 202338 15 |
| SDW-TG 50W  | GX12-1    | 54           | 85           | 2550                    | 2400         | 81                     | 0.7          | 300   | 550                                   | 469             | 407             | 27            | 9281 599 05130  | 203236 15 |

| Ballast type        | For lamps    | System power W | Efficacy lm/W | Lamp power W | Efficacy lm/W | Lumen lm | T <sub>case</sub> life °C | T <sub>case</sub> max. °C | T <sub>ambient</sub> range °C |
|---------------------|--------------|----------------|---------------|--------------|---------------|----------|---------------------------|---------------------------|-------------------------------|
|                     |              |                |               |              |               |          |                           |                           |                               |
| HID-PV 100/S SDW-TG | SDW-TG 100 W | 110            | 44            | 98           | 49            | 4800     | 80                        | 90                        | -20...50                      |
| HID-PV 50/S SDW-TG  | SDW-TG 50 W  | 62             | 40            | 54           | 43            | 2300     | 80                        | 90                        | -20...60                      |

### Ordering and packing data

| Ballast             | Ordering number | 1 Piece EAN code | Weight | Bulk packing |            |      |     | Weight gross kg | EAN code | EOC            |           |
|---------------------|-----------------|------------------|--------|--------------|------------|------|-----|-----------------|----------|----------------|-----------|
|                     |                 |                  |        | Qty.         | Dimensions |      |     |                 |          |                | Volume    |
|                     |                 |                  |        |              | l          | w    | h   |                 |          |                |           |
| HID-PV 50/S SDW-TG  | 9137 001 486..  | 8711500 749277   | 0.725  | 10           | 39         | 16   | 10  | 0.007           | 7.485    | 8711500 749284 | 749277 30 |
| HID-PV 100/S SDW-TG | 9137 001 717..  | 8711500 748720   | 0.725  | 10           | 39         | 16   | 10  | 0.007           | 7.485    | 8711500 748737 | 748720 30 |
| Strain relief       | 9137 001 574..  | 8711500 539861   | t.b.a. | 10           | 15.5       | 13.7 | 8.5 | 0.0018          | 0.3      | 8711500 539878 | 539861 30 |

Available ex stock + strain relief



**For more information:**  
 Philips Lighting B.V.  
 Mathildelaan 1  
 5611 BD Eindhoven  
 Tel.: +31(0)40 275 58 93  
 Fax.: +31(0)40 275 60 38

3222 635 37331  
 Data subject to change  
 08/2002  
[www.lampsandgear.lighting.philips.com](http://www.lampsandgear.lighting.philips.com)